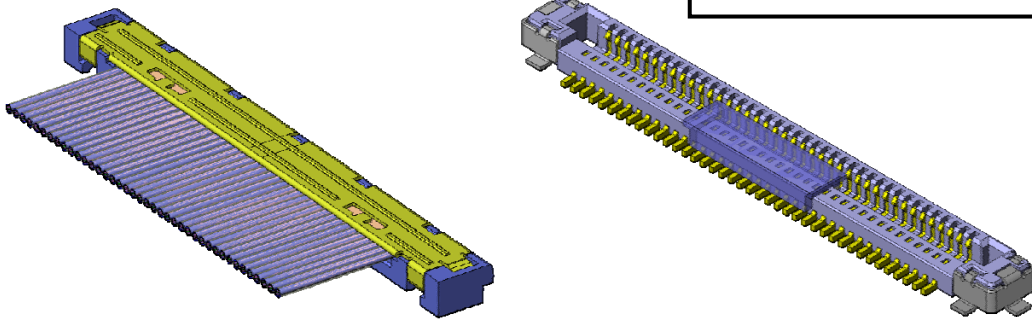




FI-J Series

RoHS Compliant

Outline

Thin wire coaxial connector compatible to AWG #42, 44 cables for small compact devices has been developed. Space saving on board and small enough to passed through hinge after harness assembly.

Features

- The smallest board mounting space in the industry (compared with other 0.4mm pitch product) with 2.5mm depth, 21.7mm pitch direction (for 40 pins). 1.58mm height.
- Ensures 0.4mm effective contact length with stable connection.
- Highly reliable structure by supporting the contact points with contacts
- Ensures low contact resistance with Au plated ground contact points between plug and receptacle with stable connection.
- Mis-mating prevention structure
- Compatible with AWG #42 and #44 cables
- Receptacle side: Available on embossed tape for automatic mounting and ensures high mounting performance with adsorption cap.
- Receptacle side: Solder migration prevention structure with Ni barrier on receptacle plug.
- Plug side: Small hinge can be passed through after harness assembly.

General Specifications

- | | |
|---|--|
| ■No. of contacts : 20, 25, 30, 35, 40 pos. | ■Rated current: AC, DC each 0.3A per pos. |
| ■Pitch: 0.4mm | ■Rated voltage: AC, DC each 50V per pos. |
| ■Operating temperature:
-40 Deg. C to +85 Deg. C | ■Insulation resistance: 100M ohm min. |
| ■Contact resistance: 40m ohm max. | ■Dielectric withstanding voltage :
AC 250Vr. m.s per minute |
| ■Life time: 30 times | ■Applicable cable: AWG#42 to 44 |

Materials and Finishes

Components	Materials/ Finishes
Receptacle(FI-J**S-VF15N)	
Contact	Copper alloy/ Contact portion, Terminal portion: Au flash plating over Ni
Hold down	Copper alloy/ Contact portion, Terminal portion: Au flash plating over Ni
Insulator	Heat resistant plastic UL94V-0
Adsorption insulator	Heat resistant plastic UL94V-0
Plug(FI-J**C3/ FI-J**C2-SH-D)	
Contact	Copper alloy/ Contact portion, Terminal portion: Au flash plating over Ni
Insulator	Heat resistant plastic UL94V-0
Shell	Stainless steel/ Au plating over Ni

Ordering Information

Receptacle side embossed (SJ104708)

FI-J ****** **S** - **VF** **15N** - **R3000**

Series

No. of Contacts: 20, 25, 30, 35, 40

Embossed reel 3000pcs.

Modification code 15N: General

Vertical type

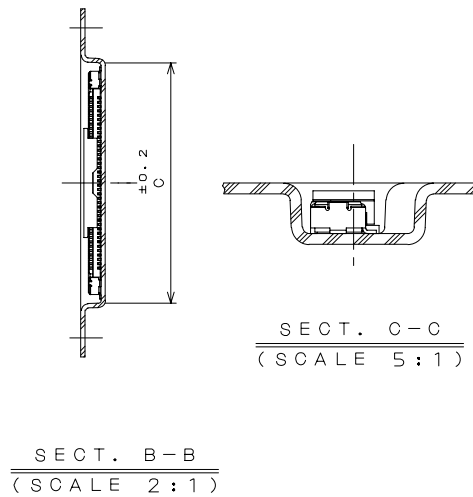
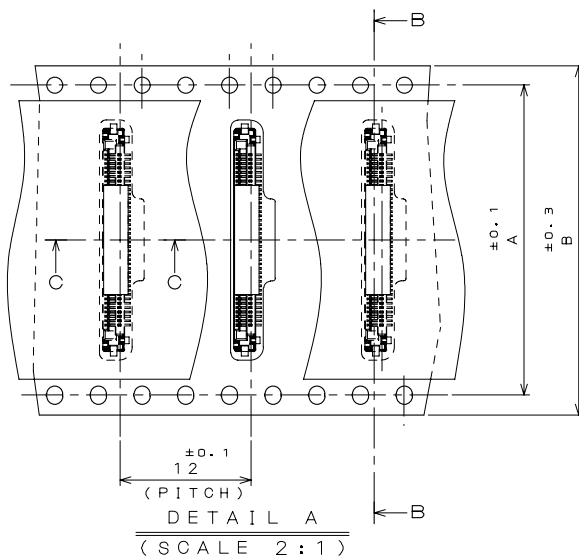
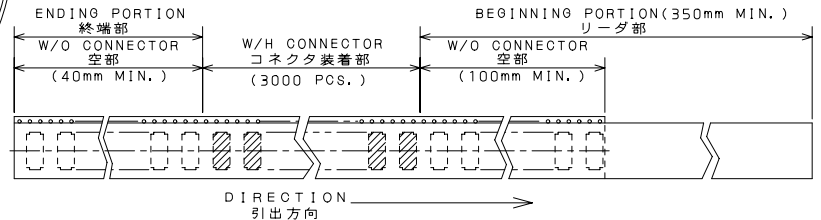
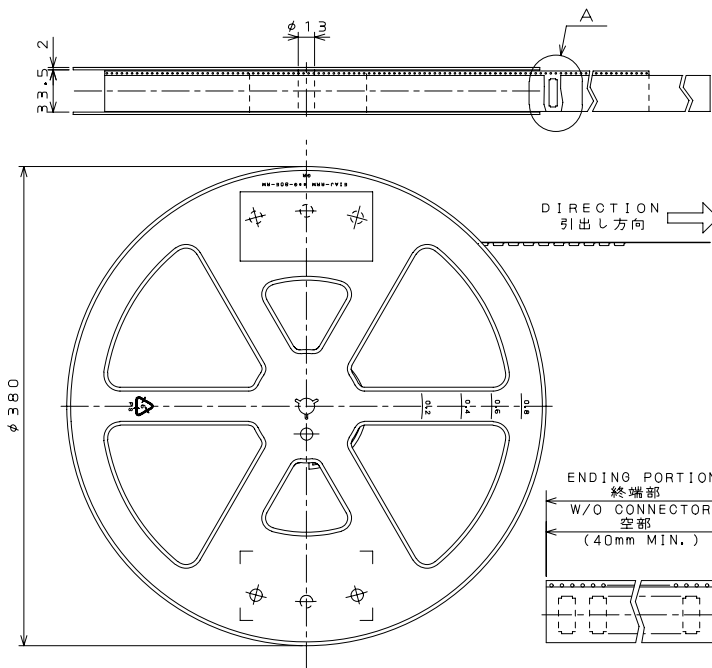
Socket side

Unit: mm

Dimension chart

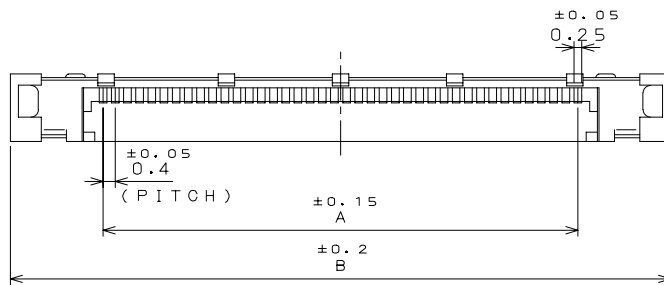
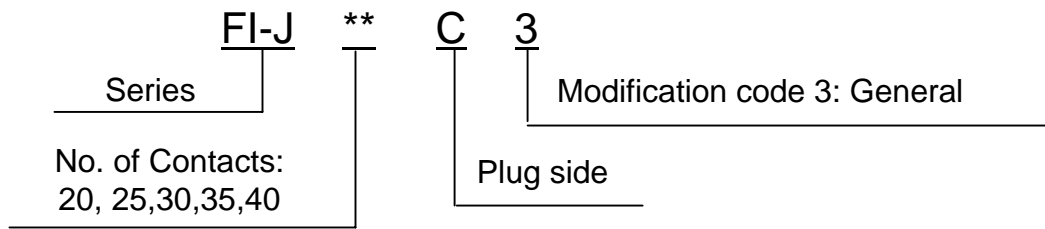
No. OF CONTACTS	20	25	30	35	40
A	—	28.4	28.4	28.4	28.4
B	24	32	32	32	32
C	14	16	18	20	22

*20pos type one lane is carrier

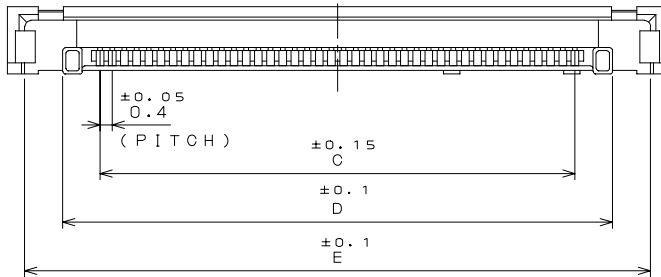
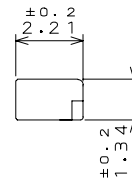
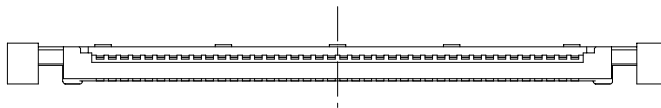


Ordering Information

Plug side: Insulator (SJ104706)



Unit: mm

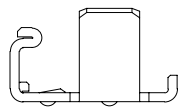
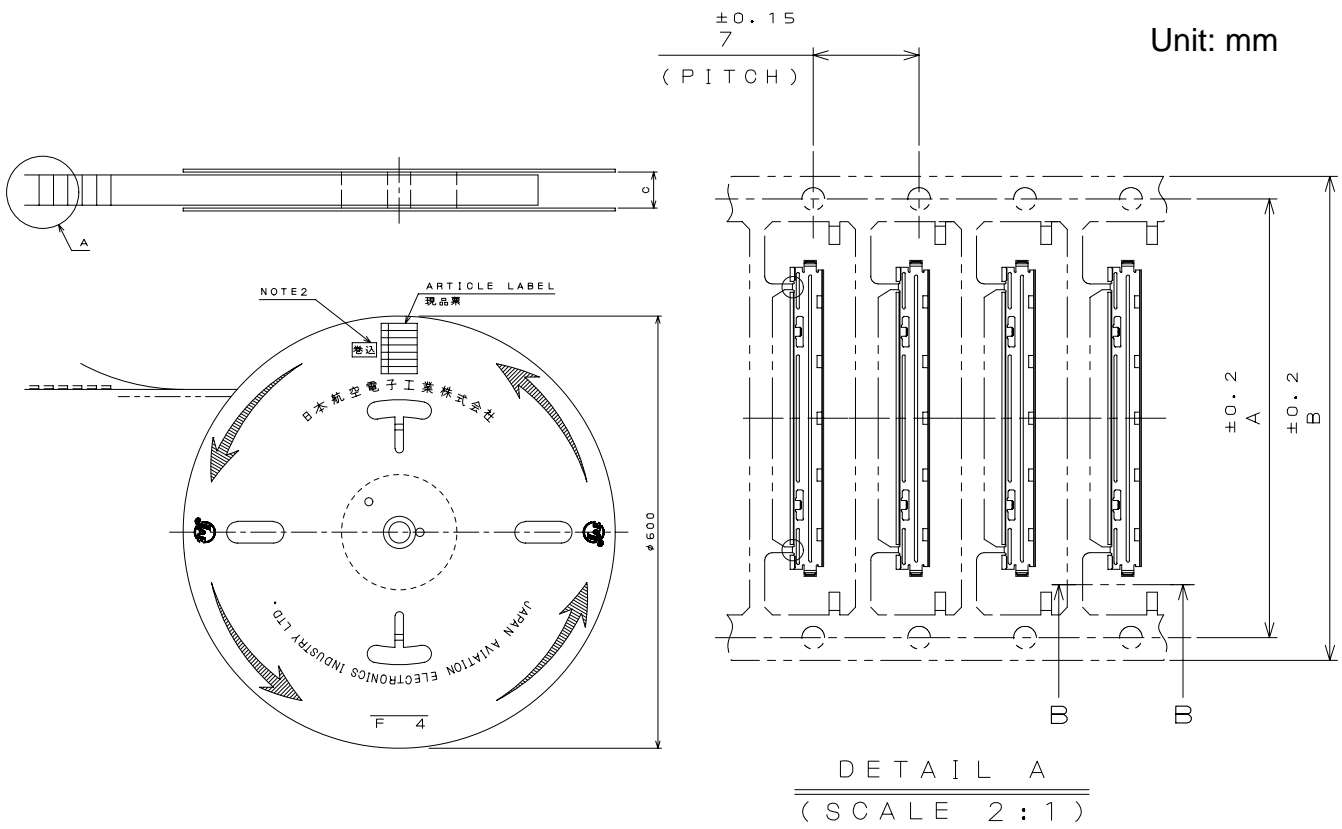
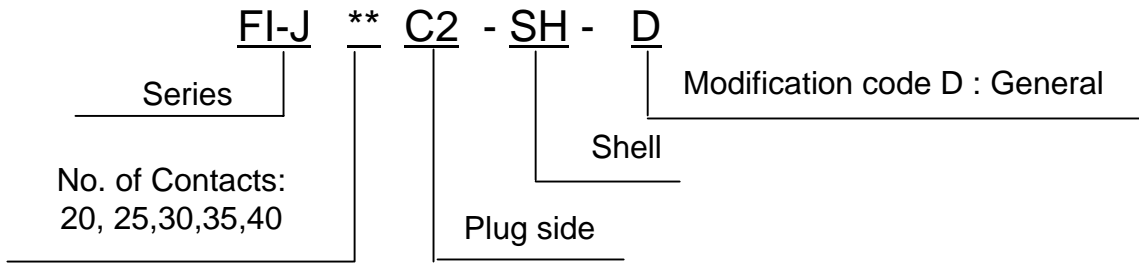


Dimension chart

No. OF CONTACTS	20	25	30	35	40
A	7.6	9.6	11.6	13.6	15.6
B	13.7	15.7	17.7	19.7	21.7
C	7.6	9.6	11.6	13.6	15.6
D	10.06	12.06	14.06	16.06	18.06
E	12.56	14.56	16.56	18.56	20.56

Ordering Information

Plug side: Shell (SJ104707)



VIEW B-B

Dimension chart

No.OF CONTACTS	20	25	30	35	40
A	21	23	25	27	29
B	24	26	28	30	32
C	26	32	32	32	40

Related Document

- Product Specification Chart (JACS): JACS-10217
- Harness Assembly Handling Instructions (JAHL):
JAHL-10217-04
- Connector Handling Instructions (JAHL):
JAHL-10217-20
- Connector Insertion/ Extraction Tools:
Drawing No. : SJ713182
Part Number: SC-FIJ-1SJ
Handling Instructions: T713182

Japan Aviation Electronics Industry, Limited

Product Marketing Division
Aobadai Building, 3-1-19, Aobadai, Meguro-ku, Tokyo 153-8539
Phone: +81-3-3780-2787 FAX: +81-3-3780-2946

Notice: Products shown in this leaflet are made for the applications listed below. However, if the above-mentioned products are to be used in aerospace devices, marine cable-connection devices, atomic power control systems, medical equipment for life-support systems, or any other specific application requiring extremely high reliability, please contact JAE for further information.
Recommended applications: computers, office machines, measuring devices, telecommunication devices (terminals, mobile devices), AV devices, household applications, FA devices, etc.